



## INDUSTRIAL WALL AND FLOOR PAPER DISPENSER



REF  
EAN

**AD60000**  
8427950380600



**AD80000**  
8427950380655

### General description

- Industrial paper roll dispenser (max. 500 m).
- Frame in 20 mm diameter steel tube.
- Polyester paint.
- Metal saw, built-in, painted in polyester.
- Designed to be installed on the wall or floor.

### Comments

- Made entirely of steel.
- High rust resistance.
- Highly-efficient cutting.
- Capacity for 1 industrial cellulose roll max. 480 mm  $\phi$ , max. 320 mm wide, mandrel  $\phi$  60/ $\phi$  70 mm.

### Parts and materials

- Frame in 20 mm  $\phi$  polyester-painted steel tube.
- Metal 1.5 mm thick polyester-painted saw.
- ABS/ASA plastic parts.

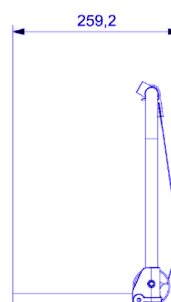
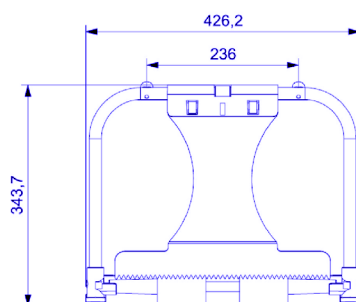
### Colour/Finish

- Graphite tube and grey saw.

### Dimensions (mm)

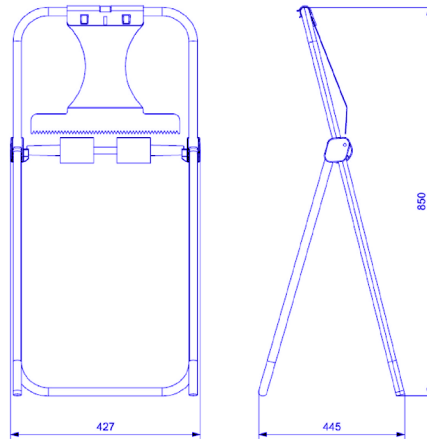
**AD60000**

Weight: 1.3 k



**AD80000**

Weight: 2.1 k



**Dimensions with packaging with 5 units**

<b>AD60000</b>			
<b>Height</b>	<b>Width</b>	<b>Depth</b>	<b>Weight</b>
310 mm	465 mm	460 mm	7.31 k

<b>AD80000</b>			
<b>Height</b>	<b>Width</b>	<b>Depth</b>	<b>Weight</b>
928 mm	420 mm	308 mm	11.175 k

**Package**

- Package with 5 units for all the references.

**Installation**

**AD60000**

- With 2 screws and 2 plugs (included)

**AD80000**

- On the floor with anti-slip pads.