



## OPTICAL DISPENSER

SOAP GEL, FOAM AND SPRAY



White



Glossy black

REF **AC76050** EAN 8427950373329  
AC76060 8427950373336

REF **AC76650** EAN 8427950373350  
AC76660 8427950373336

### ☰ General description

#### **AC76050 / AC76650**

- Gel dispenser with refillable tank.
- Made of high quality and resistant white ABS.
- It works, indifferently, with batteries (4 x C-IR14) or an AC-DC output 6V 1A power supply, 5.5 mm jack connector
- Lock with key and load indicator.
- Deposit 1 L.
- "NO CONTACT" system for total hygiene.

#### **AC76060 / AC76660**

- Foam dispenser with refillable tank.
- Made of high quality and resistant white ABS.
- Works, indistinctly, with batteries (4 x C-LR14) and mains through • 5.5mm jack connector.
- Lock with key and load indicator.
- Deposit 1 L.
- "NO CONTACT" system for total hygiene.



## Observations

### **AC76050 / AC76650 / AC76060 / AC76660**

- Possibility of adjusting the dosage time: 4 ranges
- Possibility of adjusting the delay between each dispensing: 4 ranges
- Notice with red LEDs for battery replacement.
- Approximate battery life: dose (testing) foam 90,000 doses



## Components and materials

### **AC76050 / AC76650 / AC76060 / AC76660**

- Base and cover in ABS plastic
- SAN plastic tank



## Colour/Finish

### **AC76050 / AC76060**

- White base
- White lid
- Translucent viewfinder

### **AC76650 / AC76660**

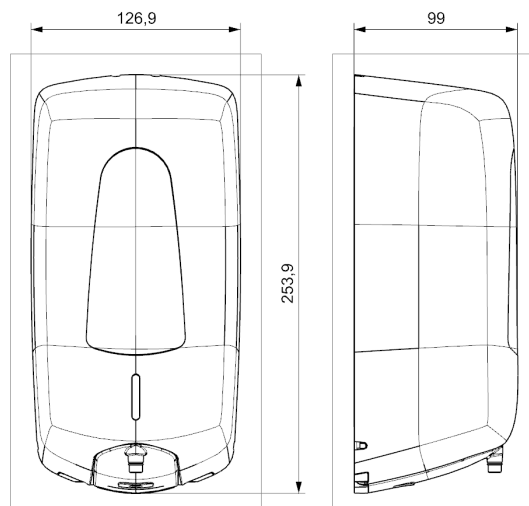
- Black base
- Black cap
- Translucent visor



## Dimensions (mm)

---

### **AC76XXX**



## Dimensions without packaging

<b>FOR ALL REFERENCES</b>			
<b>Height</b>	<b>Width</b>	<b>Depth</b>	<b>Weight</b>
253,9 mm	126,9 mm	99 mm	0,65 Kg

## Dimensions with packaging

<b>FOR ALL REFERENCES</b>			
<b>Height</b>	<b>Width</b>	<b>Depth</b>	<b>Weight</b>
265 mm	123 mm	120 mm	0,785 Kg

## Packing

- Packages of 1 unit for all codes.

## Fixing

*For all references:*

- *By means of plugs and screws included, it admits fixing by adhesive (not included).*
- *Accessories: 3 plugs, 3 screws and a lock set.*