



REF

EAN

AZ25500ZS
8427950373589
Grey and blue finish

General description

- Easily removable from the bucket and with durable metal handle.
- European model for mops and adaptable to any mop combo unit/bucket.
- Ergonomic handle.

Colour/Finish

- Grey and blue finish.

Comments

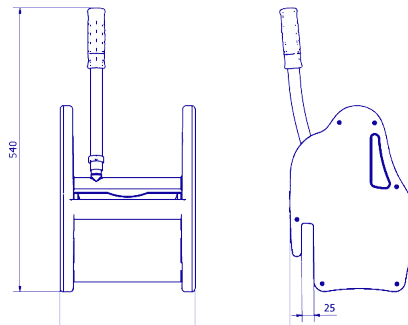
- For European format mops and beaters for industrial use.
- For hospitality and hospitals.

Parts and materials

- Made from polypropylene and polyamides.
- Aluminium wringer lever handle.

Dimensions (mm)

Weight: 2.480 k



Dimensions with packaging

AZ25500ZS			
Height	Width	Depth	Weight
370 mm	270 mm	490 mm	5.610 k

Package

- 1 unit per package.