

**SMART 2 BUCKET
COMBO UNIT**



REF
EAN

AZ21600S
8427950373565
Blue and red finish

General description

- With detachable grey and blue wringer.
- With two 15 l buckets, one in blue and the other in red.
- Robust frame with four 80 mm Ø swivel castors.

Colour/Finish

- Buckets in blue and red.
- Blue and grey wringer and blue frame.

Comments

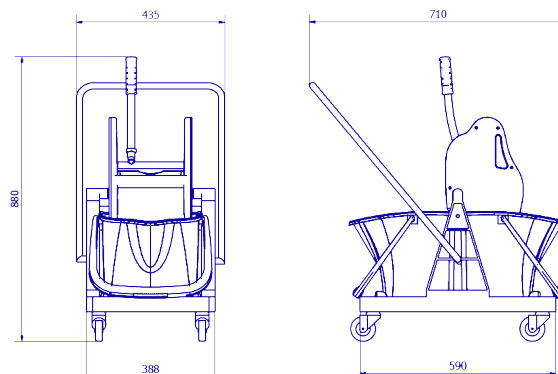
- Castors with non-making noise rubber tyres. Resistance: 50 kg each castor.
- For hospitality and hospitals.

Parts and materials

- Made from polypropylene.
- Chrome plated steel durable handle.

Dimensions (mm)

Weight: 8.140 k



Dimensions with packaging

AZ21600S			
Height	Width	Depth	Weight
415 mm	630 mm	430 mm	9.425 k

Package

- 2 unit per package.