



REF

EAN

AZ20700S

8427950373572

Blue and grey finish

General description

- Four 80 mm Ø swivel castors protected against impacts.
- Detachable wringer with metal handle.
- Blue 30 l 5.3 kg bucket with easy-emptying system.
- Ergonomic handle.
- Protected against impacts.

Colour/Finish

- Blue bucket.
- Blue and grey wringer.

Comments

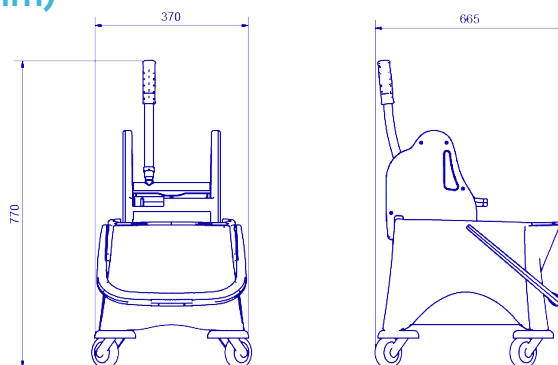
- Castors with non-making noise rubber tyres. Resistance: 50 kg each castor.
- For hospitality and hospitals.

Parts and materials

- Made from polypropylene.
- Aluminium wringer lever handle.

Dimensions (mm)

Weight: 5.350 k



Dimensions with packaging

AZ20700S			
Height	Width	Depth	Weight
495 mm	375 mm	320 mm	5.845 k

Package

- 1 unit per package.