



SOAP, GEL, FOAM, SHAMPOO
MIX SYSTEM CARTRIDGES



REF
EAN

AT17000
8427950361265
Standard



AT17700
8427950361272
Sanitiser



AT17800
8427950363979
Sensitive



REF
EAN

AT54500
8427950361227
Standard



AT54600
8427950361234
Shampoo



AT54700
8427950361241
Aloe



REF
EAN

AT86000
8427950361258
Hydroalcoholic

General description

AT17000

- Soap foam in collapsible cartridge.
- 1 l capacity
- Use for Jofel dispensers ref. AC73*.
- Built-in pump dispensing 0.35 g doses
- It stands out for its great foaming, creamy and soft texture for the hands. It takes care, cleans, protects and softens the skin.
- Fresh and durable perfume. It contains moisturising and softening agents.

AT17700

- Soap foam sanitiser gel in collapsible cartridge.
- 1 l capacity
- Use for Jofel dispensers ref. AC73*.
- Built-in pump dispensing 0.35 g dose
- It can be used as often as needed since it contains emollient skin agents. It cares for, cleans, protects and softens the skin.
- Triclosan-free formula. Antiseptic for a healthy skin.

AT17800

- Odourless and colourless sensitive foam soap in collapsible bottles.
- 1 l capacity
- Use for Jofel dispensers ref. AC73*.
- Built-in pump dispensing 0.35 g dose
- It can be used as often as needed since it contains emollient skin agents. It cares for, cleans, protects and softens the skin.
- Triclosan-free formula. Antiseptic for a healthy skin.

AT54500

- Gel soap in collapsible cartridge, nacred colour.
- 1 kg capacity.
- Use for Jofel dispensers ref. AC73*.
- Built-in pump dispensing 1 g doses
- Hand cleanser for daily use with skin-softening agents.
- Aromatic and fresh notes that give softness and a feeling of well-being after washing.

AT54600

- Gel-shampoo soap in collapsible cartridge, nacred colour.
- 1 kg capacity.
- Use for Jofel dispensers ref. AC73*.
- Built-in pump dispensing doses of 1 g
- Creamy gel for washing skin and hair. Gentle and delicate perfume.
- It contains protective and emollient agents, plus specific additives to add softness to skin and hair.

AT54700

- Aloe gel soap in collapsible cartridge, green colour.
- 1 kg capacity.
- Use for Jofel dispensers ref. AC73*.
- Built-in pump that dispenses doses of 1 g.
- Soft gel enriched with moisturising and softening agents.
- Its perfume provides an immediate sensation of freshness to the hands.

AT86000

- Biocide, fungicide, bactericide and virucide hydroalcoholic sanitiser gel.
- Collapsible, colourless cartridge.
- Use for Jofel dispensers ref. AC73*
- Built-in pump dispensing doses of 1 g.
- It can be used as many times as needed since it contains emollient skin agents. Antiseptic for a healthy skin.
- 1 kg capacity.



Comments

AT17000 / AT17700

- 0.35 g in each service.
- 2800 doses per refill.
- Recommended for hospitality sector, offices, public buildings, etc.
- Ideal for places of high use and traffic due to its high performance.

AT17800

- 0.35 g in each service.
- 2800 doses per refill.
- Suitable for the food industry (odourless).
- Ideal for places of high use and traffic due to its high performance.

AT54500 / AT54700

- 1 g in each service.
- 1000 doses per refill.
- It cares for, cleans, protects and softens the skin.
- Recommended for hospitality sector, offices, public buildings, etc.

AT54600

- 1 g in each service.
- 1000 doses per refill.
- Recommended use: gyms, sports clubs, nursery schools, schools swimming pools, hotels and other big areas.

AT86000

- 1 g in each service.
- 1000 doses per refill.

- Compliant with standards:
UNE-EN 1040:2006 - ENAC ESSAY No. 648/LE 1286.
-UNE-EN 1276:2010.
-UNE-EN 1500:2013.
-UNE-EN 1650:2008.
-NF-EN 14476:2013+A2:2019.

Colour/Finish

AT17000 / AT17700

- Blue.

AT54600

- Nacred.

AT17800

- Colourless, odourless.

AT54700

- Green.

AT54500

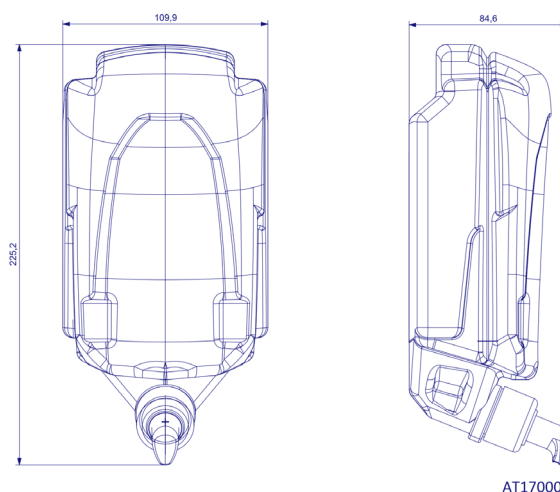
- Red.

AT86000

- Colourless.

Dimensions (mm)

Weight: 1.060 kg



Dimensions with packaging

AT17000 / AT17700 / AT17800 / AT54500 / AT54600 / AT54700 / AT86000			
Height	Width	Depth	Weight
260 mm	560 mm	240 mm	11.345 kg

Package

- 10 units per package for all the numbers.