



CLÁSICA CENTREFEED PAPER DISPENSER



AG20020
8427950325694
White

REF

EAN



AG21050
8427950300776
Fumé

General description

AG20020/AG21050

- Continuous centrefeed/paper roll box dispenser through the base.
- Key lockable.
- For use with a special roll, resting on its side and without a mandrel.
- Capacity for rolls of max. 205 mm ø.

Parts and materials

AG20020

- ABS plastic cover and base

AG21050

- ABS plastic cover and SAN base.

Comments

AG20020/AG21050

- To place the paper in the device, remove the cardboard from the roll and place the first layer in the hole of the base of the device.

Colour/Finish

AG20020

- White

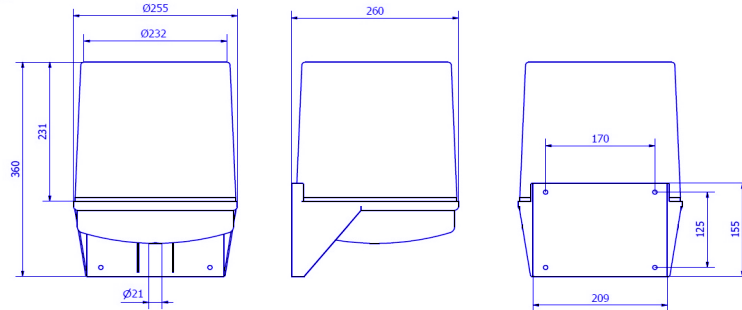
AG21050

- Fumé cover/white base

Dimensions (mm)

AG20020/AG21050

Weight: 0.990 k



Dimensions with packaging

AG20020/AG21050			
Height	Width	Depth	Weight
375 mm	265 mm	265 mm	1.230 k

Package

AG20020/AG21050

- 1 unit per package.

Installation

- With screws and plugs.
- It includes: 1 tool, 3 plugs and 3 screws.

Approved by: Quality Department

Date: 11/01/2023