



ELBOW-OPERATED ALUMINIUM DISPENSER



REF

EAN

AC12000

8427950327162

White and blue

General description

- Elbow-operated liquid-soap dispenser with tank.
- Germania range.
- Made of ABS plastic and aluminium.
- 0.5 l refillable tank
- Key and lock closure.
- Especially designed to be operated with one's elbows at hospitals, surgeries, etc.
- 1 special tool, 3 plugs and 3 screws supplied.
- 0.5 l capacity

Comments

- Push-button pressure: 2 kg
- Dose per service: 1 g

Parts and materials

- Aluminium and ABS plastic

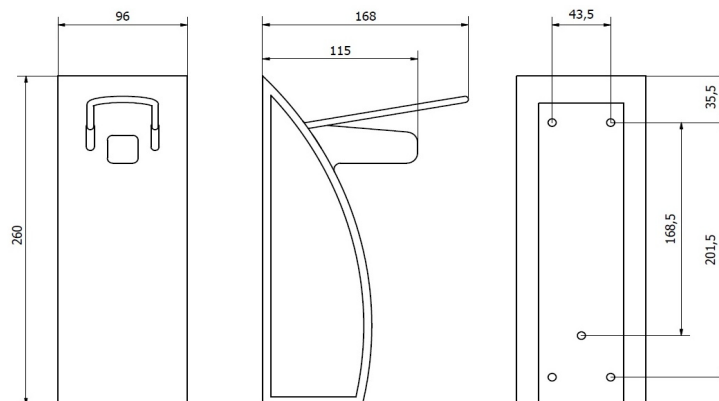
Colour/Finish

- White and blue.

Dimensions (mm)

AC12000

Weight: 0.575 k



Dimensions with packaging

AC12000			
Height	Width	Depth	Weight
275 mm	108 mm	185 mm	0.690 k

Package

- 1 unit per package.

-  Installation: with the supplied screws and plugs. It can be installed with adhesive (not included)