



AUTOMATIC IBERO HAND DRYER



REF
EAN

AA92000
8427950323102
Polished finish



AA92500
8427950323126
Satin finish



AA94000
8427950323164
Vitrified finish

General description

- Totally automatic: it uses an infrared sensor to activate instant drying and stops when it detects no hands.
- 360° rotating nozzle for hair drying.
- Anti-vandal.
- High-quality and -performance traditional hand dryer.
- Class II: no earth wire required.

Technical specifications

VOLTAGE:	220 - 240 V AC
FREQUENCY:	50/60 Hz
MOTOR POWER:	200 W
RESISTOR POWER:	1800 W
TOTAL POWER:	2000 W
MOTOR RPM:	4250
AIR SPEED:	121 km/h
ACOUSTIC PRESSURE:	77.5 dB
AIR TEMPERATURE:	54.1°C (at 10 cm distance)
PROTECTION GRADE:	IP23
ELECTRIC ISOLATION:	CLASS II

Certifications



Colour/Finish

- AA92000/AA92500**
- Polished and satin steel INOX AISI 304 cover.
 - Chromed nozzle.

- AA94000**
- White vitrified steel cover.
 - Chromed nozzle.

Parts and materials

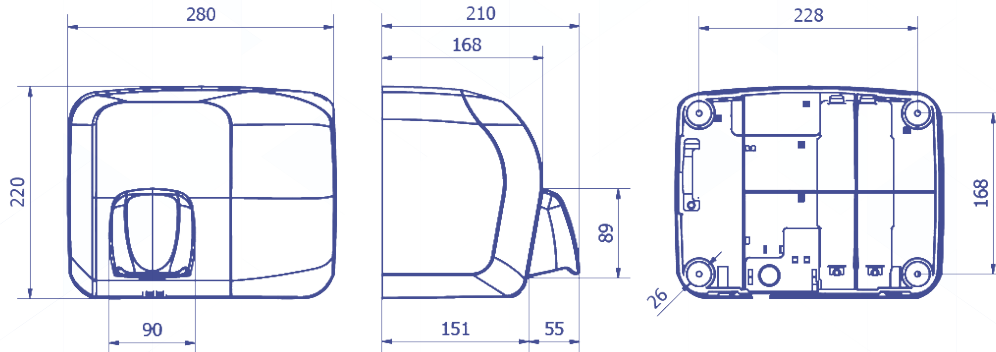
- AA92000/AA92500**
- Steel INOX AISI 304 cover.
 - ABS and VO polycarbonate inner parts.

- AA94000**
- Vitrified steel cover.
 - ABS and VO polycarbonate inner parts.

Product diagram (mm)

AA92000/AA92500
AA94000

Net weight: 3.674 k
Net weight: 4.596 k

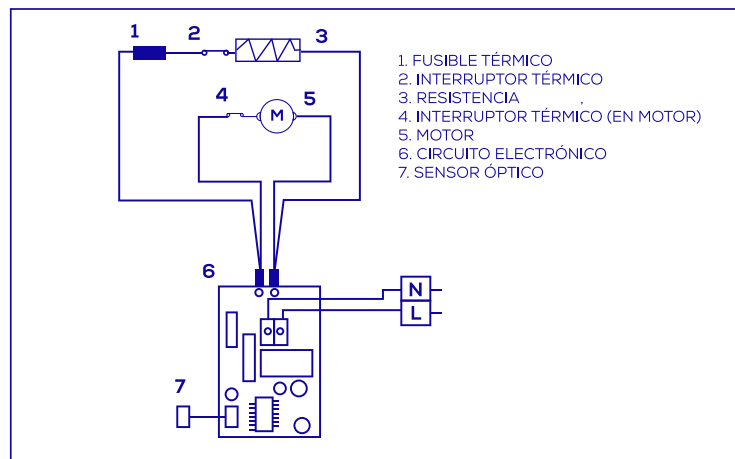


Dimensions with packaging

AA92000/AA92500			
Height	Width	Depth	Weight
280 mm	340 mm	290 mm	4.443 k

AA94000			
Height	Width	Depth	Weight
280 mm	340 mm	290 mm	5.276 k

Electrical diagram



Package

- Package with one item for all the references.

-  Mounting: with 4 screws and 4 plugs (included)

Approved by: Quality Department

Date: 11/01/2022