



## PUSH-BUTTON IBERO HAND DRYER



REF

**AA91000**

EAN

8427950323058

Polished finish



**AA91500**

8427950323072

Satin finish



**AA93000**

8427950323140

Vitrified finish

### General description

- 360° rotating nozzle for hair drying.
- Anti-vandal.
- High-quality and -performance traditional hand dryer.
- Hand push button with automatic stop.
- Class II: no earth wire required.
- Safety system with time limit.
- Drying time adjustment.

### Technical specifications

VOLTAGE:	220 - 240 V
FREQUENCY:	50/60 Hz
MOTOR POWER:	200 W
RESISTOR POWER:	1800 W
TOTAL POWER:	2000 W
MOTOR RPM:	4250
AIR SPEED:	121 km/h
ACOUSTIC PRESSURE:	77.5 dB
AIR TEMPERATURE:	54.1 °C (at 10 cm distance)
PROTECTION GRADE:	IP23
ELECTRIC ISOLATION:	CLASS II

### Certifications



### Colour/Finish

#### AA91000/AA91500

- Polished and satin steel INOX AISI 304 cover.
- Chromed push button and

#### AA93000

- White vitrified steel cover.
- Chromed push button and nozzle.

### Parts and materials

#### AA91000/AA91500

- Steel INOX AISI 304 cover.
- ABS and VO polycarbonate inner parts.

#### AA93000

- Vitrified steel cover.
- ABS and VO polycarbonate inner parts.
- ABS push button and nozzle.

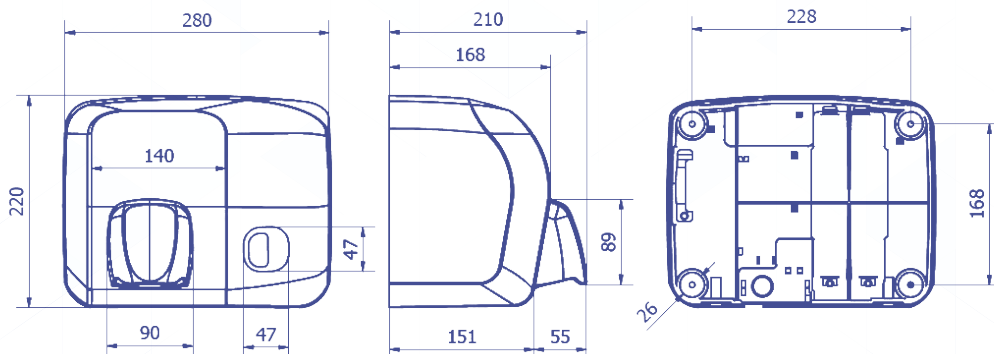
## Product diagram (mm)

AA91000/AA91500

AA93000

Net weight: 3.685 k

Net weight: 4.456 k

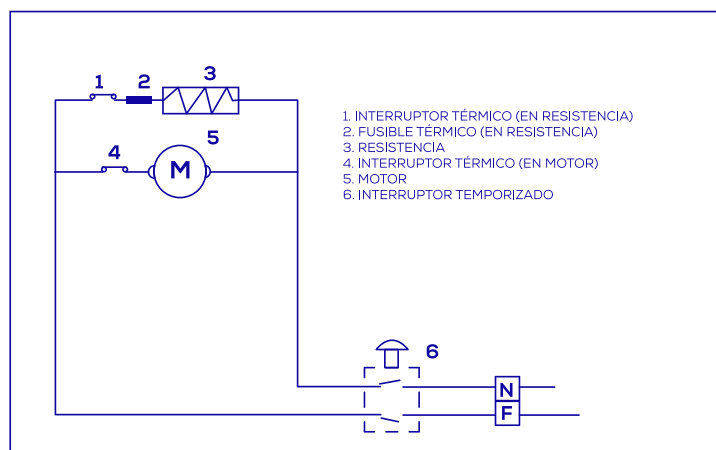


## Dimensions with packaging

AA91000/AA91500			
Height	Width	Depth	Weight
280 mm	340 mm	290 mm	4.450 k

AA93000			
Height	Width	Depth	Weight
280 mm	340 mm	290 mm	5.118 k

## Electrical diagram



## Package

- Package with one item for all the references.

## Mounting: with 4 screws and 4 plugs (included)

Approved by: Quality Department

Date: 11/01/2022