



HIGH PERFORMANCE AVE HAND DRYER



REF
EAN



AA19000
8427950352164
White finish



AA19300
8427950363689
Silver finish



REF
EAN

AA19600
8427950353987
Black finish



AA19600_MT
8427950369063
Matt black finish

General description

- Totally automatic: it uses an infrared sensor to activate instant drying and stops when it detects no hands.
- Approx. drying time: 10 sec.
- Class II: No earth wire required.
- Line air outlet integrated in the bottom.
- HEPA filter.

Technical specifications

VOLTAGE:	EC: 230 V AC
FREQUENCY:	50/60 Hz
MOTOR POWER:	750 W
RESISTOR POWER:	650 W
TOTAL POWER:	1400 W
MOTOR RPM:	23000
AIR SPEED:	505 km/h
ACOUSTIC PRESSURE:	63.8 dB
AIR TEMPERATURE:	40 °C (at 10 cm distance)
PROTECTION GRADE:	IP23
ELECTRIC ISOLATION:	CLASS II

Certifications



Colour/Finish

AA19000

- Cover in white
- Blue nozzle.

AA19300

- Silver cover.
- Black base and nozzle.

AA19600/AA19600_MT

- Black and matt black cover
- Chromed nozzle.

Parts and materials

AA19000/AA19300

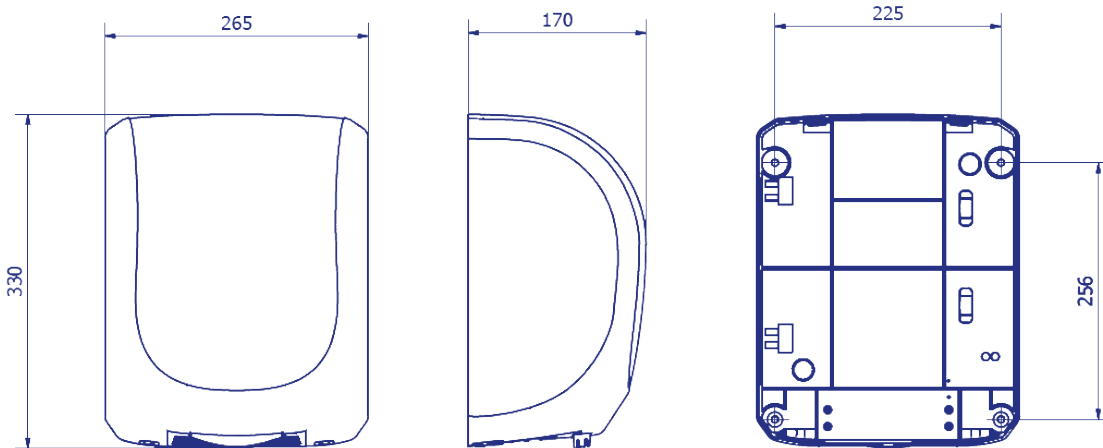
AA19600/19600_MT

- ABS plastic cover.
- ABS + PC interior.

Product diagram (mm)

All references:

Net weight: 3.324 k



Dimensions with packaging

AA19000/AA19300/AA19600/AA19600_MT			
Height	Width	Depth	Weight
400 mm	313 mm	243 mm	3.968 k

Package

- Package with one item for all the references.

 Drying time: 10 seconds.

Approved by: Quality Department

Date: 11/01/2022
