



# AUTOMATIC FUTURA

HAND DRYER



REF

EAN

**AA14000**  
8427950303432  
White finish

## General description

- Totally automatic: it uses an infrared sensor to activate instant drying and stops when it detects no hands.
- Class II: no earth wire required.
- Safety system with time limit.

## Technical specifications

VOLTAGE:	220 - 240 V AC.
FREQUENCY:	50 Hz
MOTOR POWER:	140 W
RESISTOR POWER:	1820 W
TOTAL POWER:	1960 W
MOTOR RPM:	2800
AIR SPEED:	68 km/h
ACOUSTIC PRESSURE:	58 dB
AIR TEMPERATURE:	55 °C (at 10 cm distance)
ELECTRIC ISOLATION:	CLASS II
PROTECTION GRADE:	IPX1

## Certifications



## Colour/Finish

- White cover.
- Grey air outlet grill.

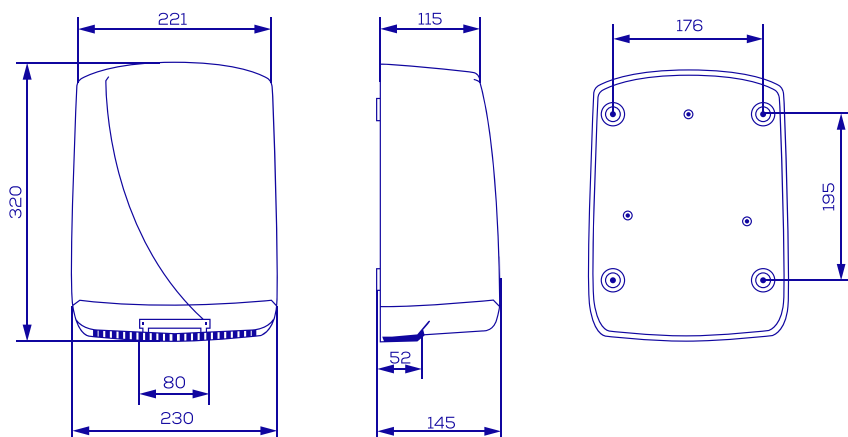
## Parts and materials

- ABS cover.
- ABS and 'VO' polycarbonate inner parts.

## Product diagram (mm)

AA14000

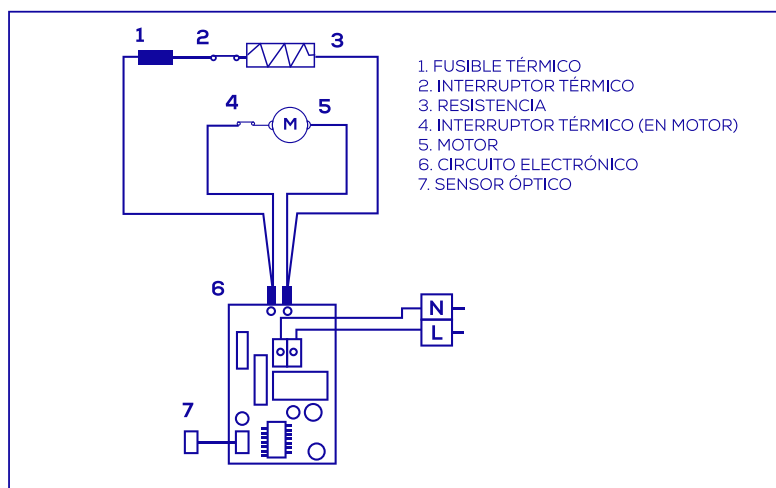
Net weight: 2.955 k



## Dimensions with packaging

AA14000			
Height	Width	Depth	Weight
380 mm	285 mm	215 mm	3.633 k

## Electrical diagram



## Package

- Package with one item for all the references.

## Mounting: with 4 screws and 4 plugs (included)

Approved by: Quality Department

Date: 11/01/2022